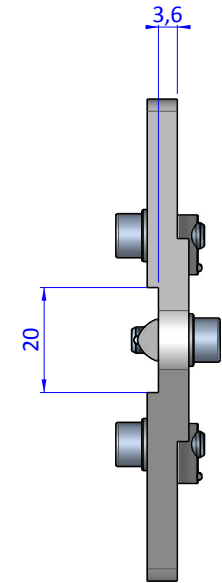
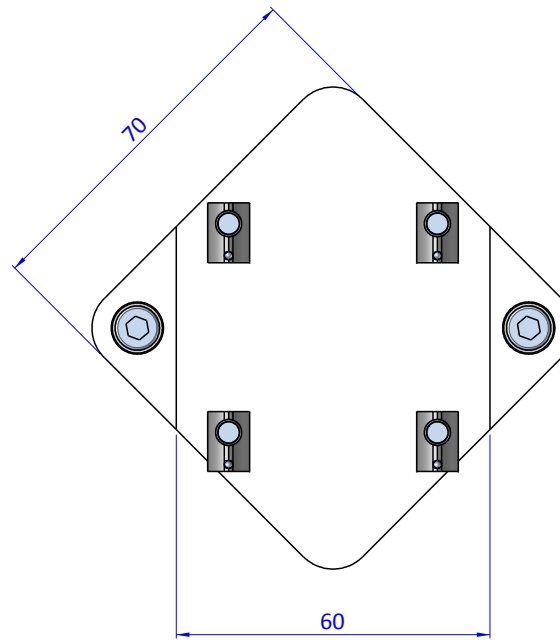
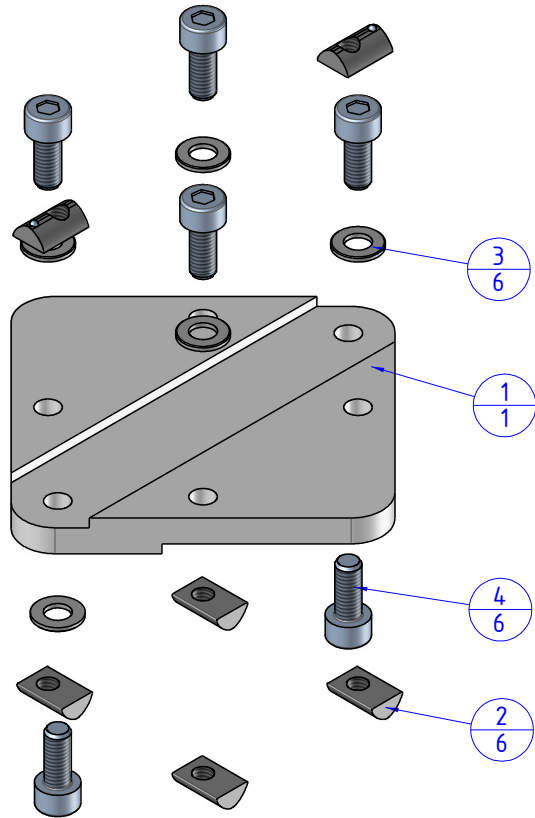



THE PROPERTY OF THE DRAWING IS ESTABLISHED BY LAW. IT IS FORBIDDEN TO PRODUCE OR SHOW IT TO THIRD PARTY, WITHOUT A WRITTEN AGREEMENT.

Object Number	Name	QTY
1	03.01.007	1
2	02.05.003	6
3	R.5	6
4	V.TCE5x12	6



Format A3

UNI 936-76

 FPS SERVICES AUTOMATION		DESIGNED FROM		REVIEW
		FPS Automation		A
GENERAL TOLERANCE		DATE	WEIGHT	
UNI - ISO 2768		08/11/2018	0,105kg	
CLASSE f	DESCRIPTION	CODE		
	CA.03.01.007	CA.03.01.007		